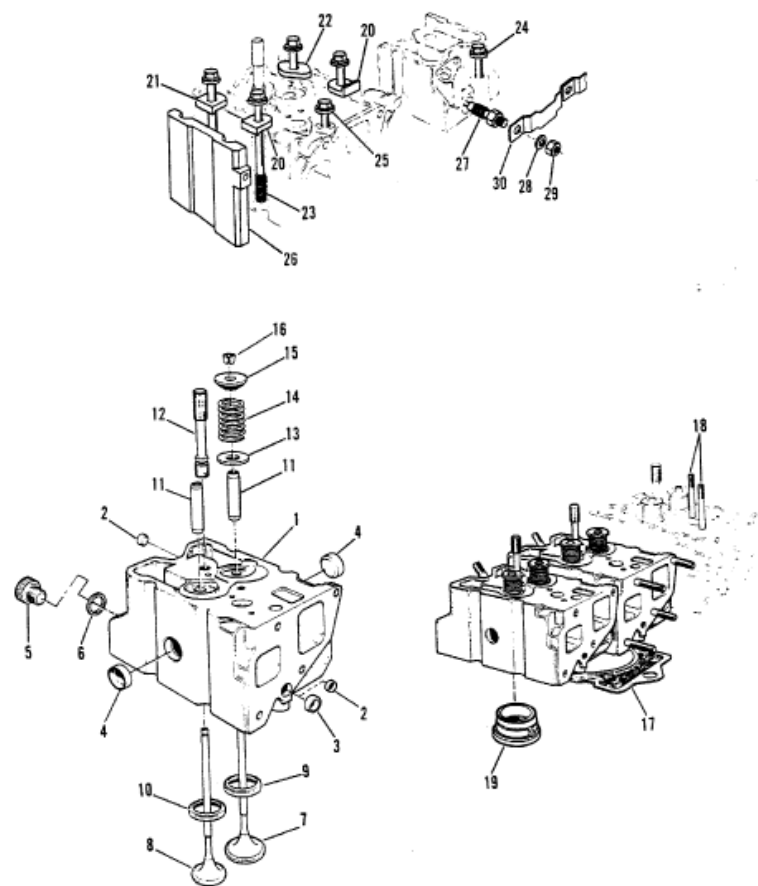


CYLINDER HEAD



Parts List					
Ref	Class	Part	Description	Qty	Footnote
1	989	821757	CYLINDER HEAD (W/VALVES)	6	
2		801331664	COVER	12	
3	19	809937241	EXPANSION PLUG	6	
4	19	811389	EXPANSION PLUG	12	
5	10	801763377	SCREW	6	
6	25	809963342	O-RING	6	1
7		811489	INLET VALVE	6	
8		811488	OUTLET VALVE	6	
9		811390	INLET VALVE SEAT	6	
10		811391	OUTLET VALVE SEAT	6	
11		801331659	VALVE GUIDE (STANDARD)	12	
11		801763692	VALVE GUIDE (.10MM)	AR	
12	16	801331662	STUD	6	
13		801331752	PLATE	12	
14	24	811388	VALVE SPRING	12	
15		801331754	SPRING PLATE	12	
16		801331755	VALVE CONE	24	
17	27	823296	GASKET (1.42MM)	6	
17	27	823297	GASKET (1.52MM)	AR	2,1
17	27	823298	GASKET (1.62MM)	AR	
18	16	801331666	STUD	12	
19		816809	PRECHAMBER	6	
20		801331671	TERMINAL BRIDGE	7	
21		801331673	TERMINAL BRIDGE	2	
22		801331674	TERMINAL BRIDGE	5	
23	10	801331675	BOLT	14	
24	10	801331677	BOLT	6	
25	10	801331678	BOLT	6	
26	23	801331670	SPACER	2	
27	33	811495	GLOW PLUG	6	
28	12	811496	WASHER	6	
29	11	811497	NUT	6	
30		811494	CONNECTING STRAP	4	
31	27	811490	GASKET SET		
32	27	811522	GASKET SET		